

Description:

Rainwater filter for filling rain barrels.

The 3P Collector Filter detains coarse dirt as leaves and collects rainwater of small roof areas (up to 50 m²) for the filling of rain barrels.

Suitable for connection of nearly all downpipes from Ø 68 to Ø 100 mm and rectangle downpipes with 60 x 60 mm.

Overflow function possible, please observe the installation instructions.

The filter is equipped with a plug so that the water supply can be regulated or even stopped completely during the winter season.



How it works:

1. Rainwater is led into the filter
2. Dirt is detained through the inner fence
3. Cleaned water is led over the connection 32 mm to the rain barrel
4. Dirt water is led into the sewer system
5. Plug

The inner filter insert serves also for fixing the downpipe.

Filter with plug for summer and winter operation or for the regulation of the water supply



Technical Data:

Available in grey and brown

For roof areas up to 50 m²

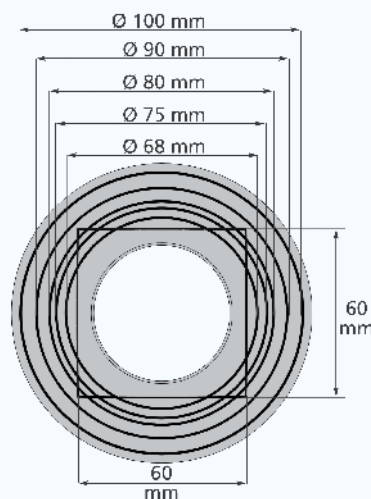
Connection for downpipes Ø 68 up to 100 mm as well as rectangle downpipes with the measurements 60 x 60 mm

Connection rain barrel: Ø 32mm, the connecting hose can be fitted directly

Plug for summer and winter operation

Material: Polyethylene

Weight: 0,3 kg



Example 1:

Installation of a 3P Rain Collector with tap grey in a downpipe of zinc

Example 2:

Installation of a 3P Rain Collector with tap brown in a downpipe of copper



Text for invitation of tenders:

| Pos. | Quantity | Article | Price in € |
|------|----------|---|------------|
| 1.1 | _____ | 3P Rain Collector with tap Rain filter for installation in downpipes from Ø 68 to Ø 100 mm and connection to rain barrel with Ø 32 mm For filling small underground rain tanks and above ground rain tanks Dirt is led into the sewer system, cleaned water is directed to the connecteed system | _____ |

Accessories:

3P Connection Set Ø 32 mm Art.-Nr. 9000128
1" x Ø 32 mm, 25 cm hose with tank wall seal connector, including hand drill



Observations:

Packing 3P Rain Collector with tap:
4 colored printing box in 8 languages

Packing unit

3P Rain Collector with tap:
Covering box 600 x 785 x 700: 100 pieces
Pallet: 600 pieces

EAN:

Art.Nr. 2000110 brown: 4018712001952
Art.Nr. 2000120 grey: 4018712001969